



LTRP-2X2-35W-50K-D
LTRP-2X2-35W-40K-D

LED CENTER BASKET DURABLE TROFFER LIGHTS

Ideal for hotel, offices, retail outlets, restaurant, parking garages, storage room, conference room, education facilities and more.

ELECTRICAL SPECIFICATIONS:

- Voltage: 100-277VAC 50/60Hz
- Wattage: 35W
- Power factor: >0.97
- Efficacy: 122~140LM/W

HOUSING SPECIFICATIONS:

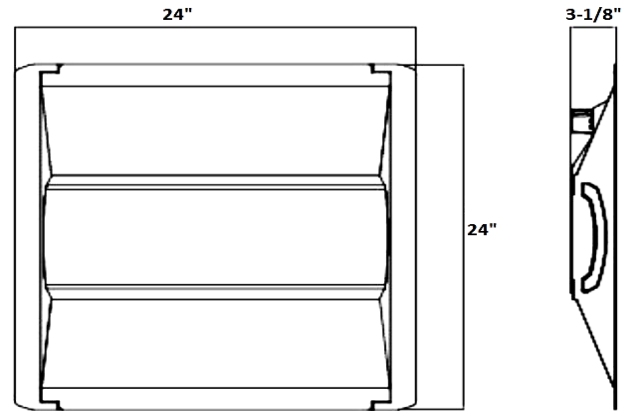
- Exclusive design lens installs from opening on ends to prevent leakage of light
- Earthquake hooks built into housing
- Operating temperature: -20°F ~ 122°F
- Lifespan: 50,000 hrs.
- IP rating: IP20

CERTIFICATIONS: UL



DIMENSIONS:

24"(L) x 24"(W) x 3-1/8"(H)



MODEL	WATTS	VOLTAGE	LUMENS	COLOR TEMP
LTRP-2X2-35W-50K-D	35W	120~277VAC	4900LM	5000K
LTRP-2X2-35W-40K-D	35W	120~277VAC	4300LM	4000K

LIGHTING SPECIFICATIONS:

- Dimming: 0~10V dimmable
- Lens: Polycarbonate
- Total lumens: 4300~4900LM
- Color temperature: 5000K/4000K
- Color rendering index: >80

WARRANTY: 5 years

